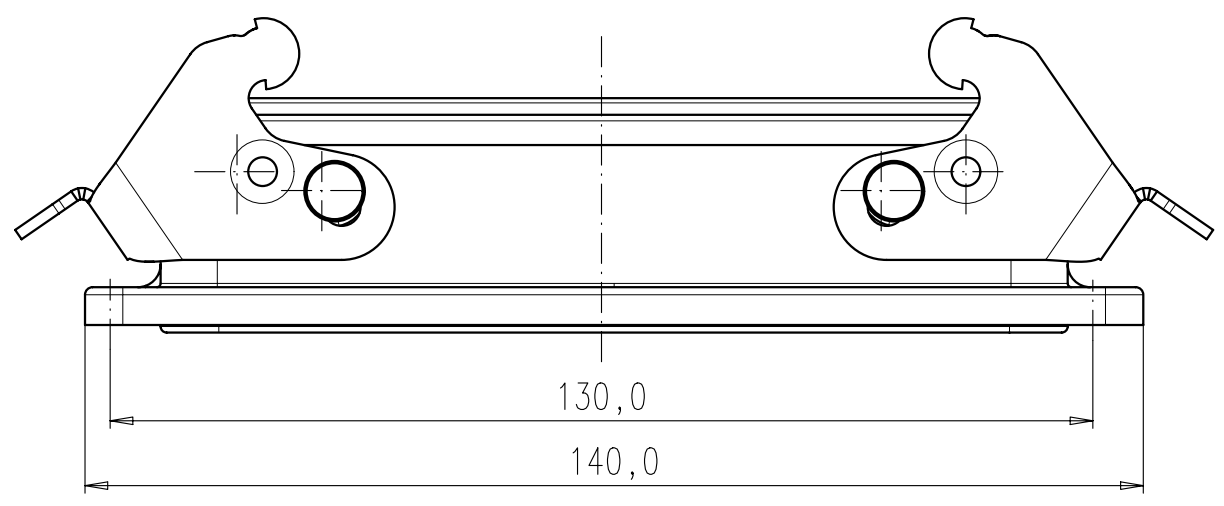
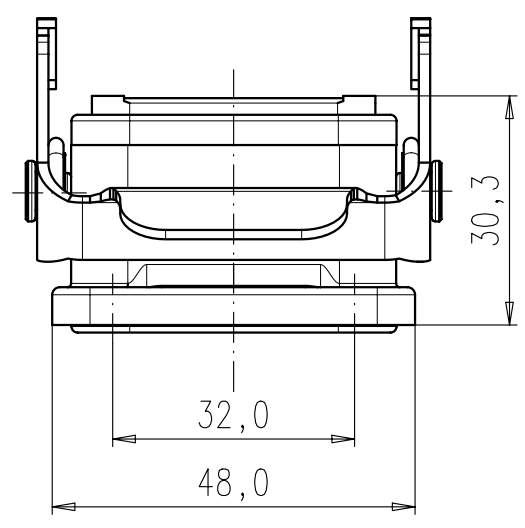
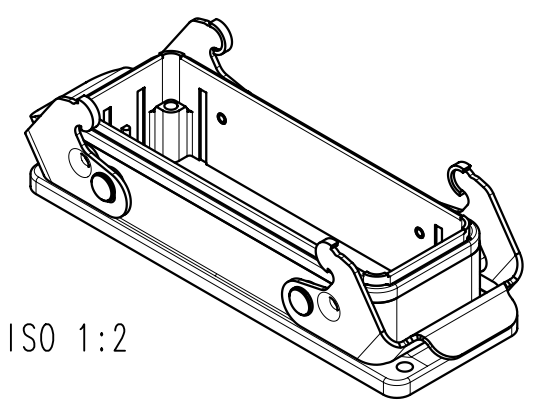
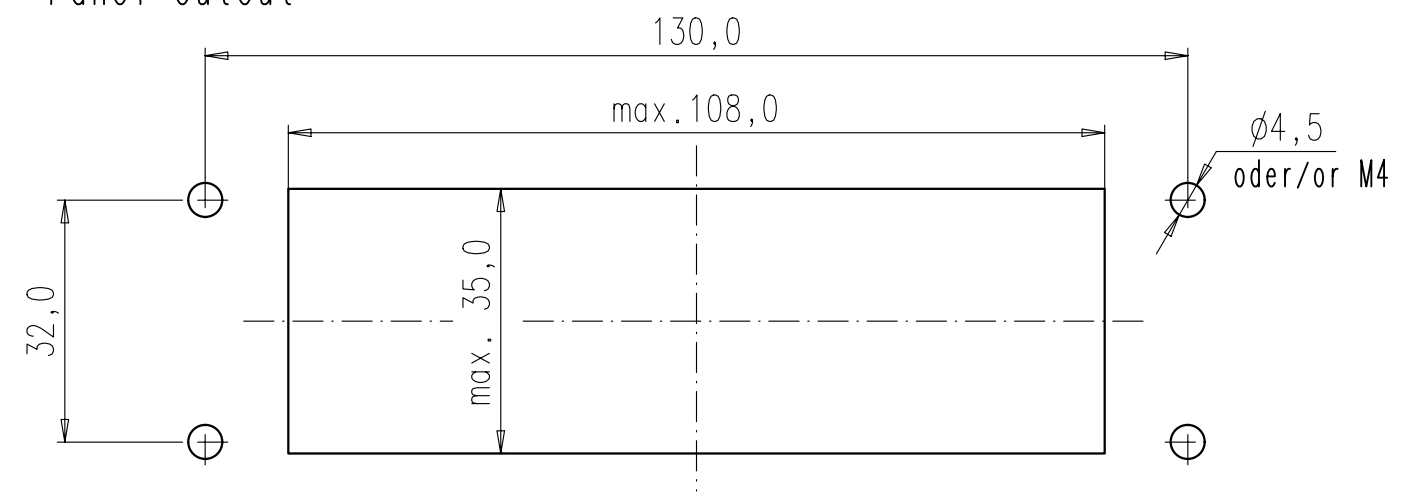


Copying of this document and giving it to others and the use or communication of the contents thereof, are forbidden without express authority. Offenders are liable to the payment of damages. All rights are reserved in the event of the grant of a patent or the registration of the utility model or design.



Montageausschnitt
Panel cutout



ISO 1:2

Alle technischen Daten wurden unter Laborbedingungen ermittelt und können im Praxisbetrieb abweichen. Es handelt sich bei den Angaben weder um Beschaffenheits- noch um Haltbarkeitsgarantien.
 All technical data have been measured in a laboratory environment and can be different during practical usage of the product. Any product information is for descriptive usage only and not legally binding; particularly the information does not constitute or provide any legal guaranties (*Beschaffenheitsgarantie* or *Haltbarkeitsgarantie*).

Masse (errechnet)/Calc WT: 9		Zul. Abw./Tolerances:		Maßstab/Scale 1:1		A3			
Prüfmaß/Testdimension						CUSTOMER DRAWING			
Teileindex Partindexnumber				13 Datum/Date Gez. 17.05. ToI. Gepr. Checked		Anbaugehäuse EMC housing, bulkhead mounting			
02 201300346		17.05.13 ToI.		Amphenol-Tuchel Electronics GmbH		M C146 11F024 901 8		Blatt/Sheet 1 1 Bl.	
Index Änderung/Description		Datum/Date		Name		Ers. f./Replacement for: M-C146 11F024 901 8 Rev.01			